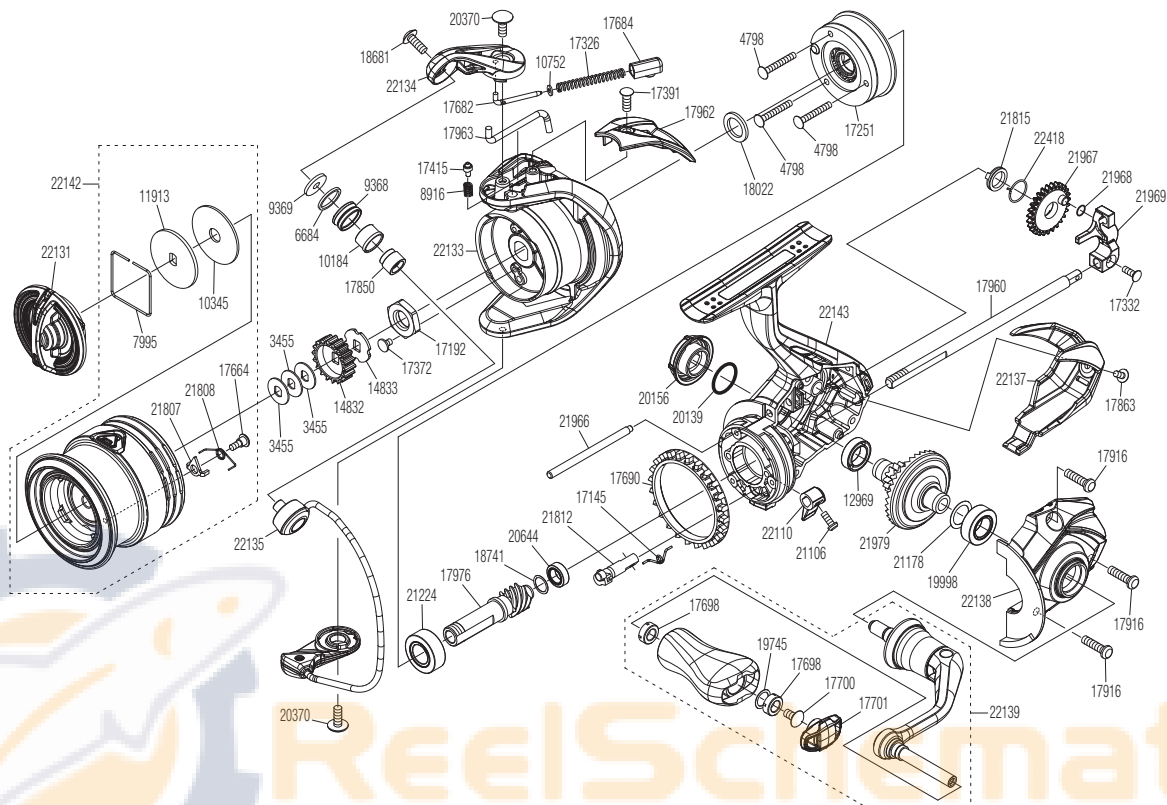


SHIMANO

SAHARA

SH-C2000SHG



Please note that the number of adjusting washers may not always be the same as shown in the exploded views.

Please note that your actions take full responsibility when you take it apart.

(51SF574D23X)

| Part No. | Description | Part No. | Description | Part No. | Description |
|----------|----------------------------|----------|-------------------|----------|--------------------|
| RD 3455 | Spool Washer | RD17698 | Bushing | RD21966 | Oscillating Guide |
| RD 4798 | Screw | RD17700 | Screw | RD21967 | Oscillating Gear |
| RD 6684 | Spacer | RD17701 | Handle Knob Seal | RD21968 | O Ring |
| RD 7995 | Retainer | RD17850 | Collar | RD21969 | Oscillating Slider |
| RD 8916 | Click Spring | RD17863 | Screw | RD21979 | Drive Gear |
| RD 9368 | Line Roller | RD17916 | Screw | RD22110 | Anti Reverse Lever |
| RD 9369 | Washer | RD17960 | Main Shaft | RD22131 | Drag Knob Assembly |
| RD10184 | Bushing | RD17962 | Bail Spring Cover | RD22133 | Rotor |
| RD10345 | Drag Washer | RD17963 | Bail Trip Lever | RD22134 | Bail Arm |
| RD10752 | Bail Spring Guide A Collar | RD17976 | Pinion Gear | RD22135 | Bail Assembly |
| RD11913 | Key Washer | RD18022 | Washer | RD22137 | Rear Protector |
| RD12969 | Ball Bearing | RD18681 | Screw | RD22138 | Side Cover |
| RD14832 | Spool Support A | RD18741 | Washer | RD22139 | Handle Assembly |
| RD14833 | Spool Support B | RD19745 | Washer | RD22142 | Spool Assembly |
| RD17145 | Anti Reverse Cam Spring | RD19998 | Ball Bearing | RD22143 | Body Assembly |
| RD17192 | Rotor Nut | RD20139 | O Ring | RD22418 | Bushing Spring |
| RD17251 | Roller Clutch Assembly | RD20156 | Handle Screw Cap | | |
| RD17326 | Bail Spring | RD20370 | Screw | | |
| RD17332 | Screw | RD20644 | Ball Bearing | | |
| RD17372 | Screw | RD21106 | Screw | | |
| RD17391 | Screw | RD21178 | Washer | | |
| RD17415 | Click Pin | RD21224 | Ball Bearing | | |
| RD17664 | Screw | RD21807 | Drag Click | | |
| RD17682 | Bail Spring Guide A | RD21808 | Drag Click Spring | | |
| RD17684 | Bail Spring Guide B | RD21812 | Anti Reverse Cam | | |
| RD17690 | Friction Ring | RD21815 | Bushing | | |